

# KTC-WB100

## INSTRUCTION MANUAL

# KENWOOD

KENWOOD CORPORATION

©PRINTED IN JAPAN B64-1666-00 (K)

### Operations

#### Selecting to the weather band tuner mode

Press the SRC (source) button repeatedly on the center unit to select the weather band tuner mode.

"WEATHER BAND/ WEATHER/ 162" is displayed when the weather band tuner mode has been selected.

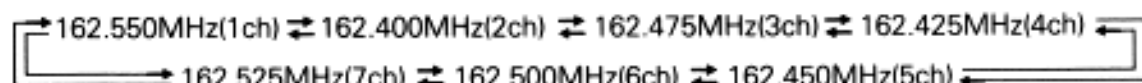
**NOTE** The information displayed when the weather band tuner mode is selected varies according to the display type, as shown below

- Full dots display type / 5x7 dots 12 digits display type ..... " WEATHER BAND "
- ex. KDC-X915, KDC-X815, KDC-9015, KMD-X92, KDC-X715, KDC-8015, KDC-715S,  
KDC-715S, KDC-X615, KDC-6015, KRC-X858, KRC-X708, KRC-608
- 14 segments 8 digits display type ..... " WEATHER "
- ex. KRC-508S, KDC-515S, KMD-42
- 7 segments 4 digits display type ..... " 162 "
- ex. KDC-35MR, KRC-38MR, KRC-28MR

#### Changing the frequency

Press either the ◀◀ or ▶▶ button on the center unit.

Each time you press the button, the mode switches as follows :



**NOTE**

The preset buttons (numbers 1 to 6) on the Center unit cannot be used to store frequencies.

### Specifications

#### Tuner section

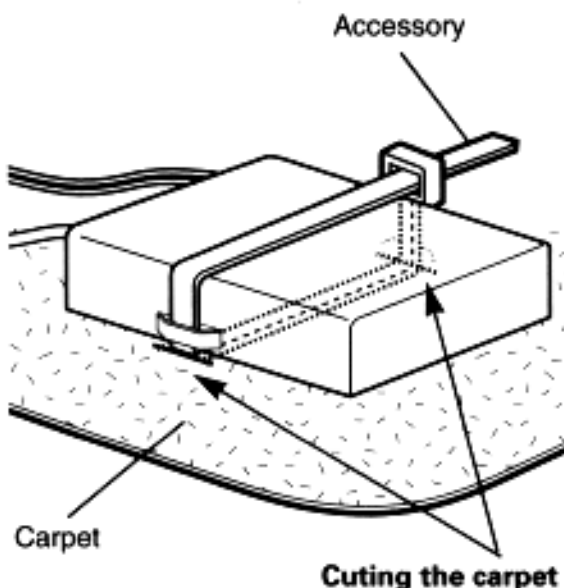
Frequency Range .....	162.400 MHz -162.550 MHz
Usable Sensitivity .....	0 dB $\mu$ V
Signal to Noise ratio(40 dB $\mu$ V) .....	50 dB

#### General

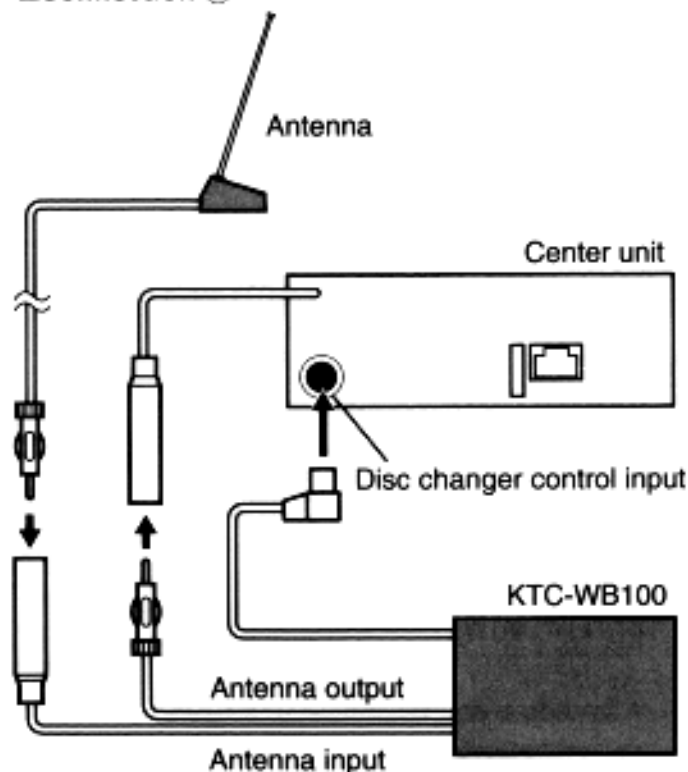
Size (W x H x D) .....	99 x 22 x 104 mm
	3-7/8 x 7/8 x 4-1/8 in.
Weight .....	0.62 Lbs (0.28 kg)

## Installation and Connection

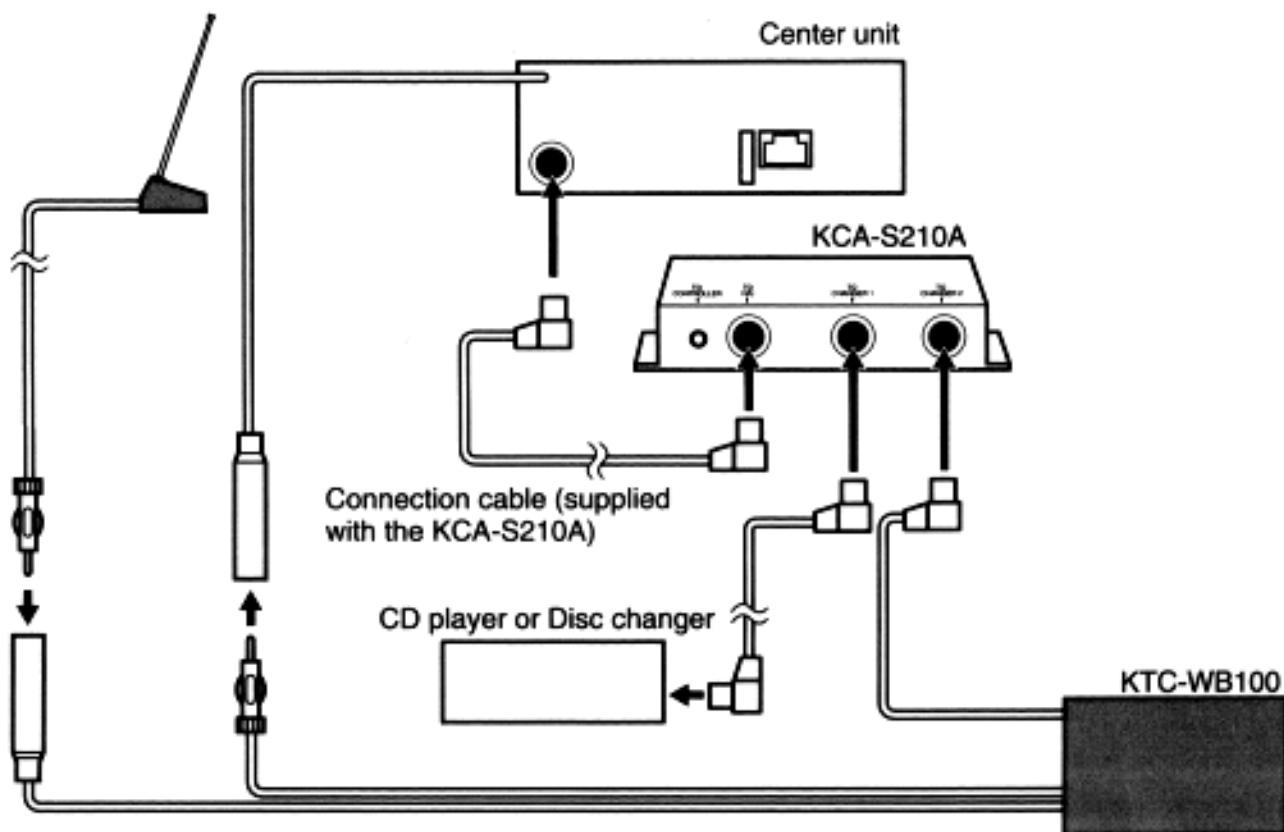
### ■ Installation: ex. Securing to the carpet



### ■ Connection ①



### ■ Connection ②: If the KCA-S210A is connected



#### NOTE

- If the KTC-WB100 cable does not reach the KCA-S210A, add the optional CA-C2W.
- If the Center unit is the KRC-38MR/KRC-28MR, only one external disc player (CD player or disc changer) can be connected.